

PRODIGY[®] ELITE[®] Eclipse[®]

MC330L - 1400lb Cube Ice Machine Prodigy ELITE[®] Modular Cube Ice Machine

ENHANCED RELIABILITY

Integrated ICELINQ[®] App

Provides real-time diagnostics, access to settings and guided cleanings. The app also contains specific information for convenient maintenance.

Upgraded Sensors

Ice thickness and water sensor design enhances cleanability and amplifies durability.

Preservation Mode

Maximizes uptime and notifies users of potential issues.

EASE OF USE

AutoAlert[™] Panel

The AutoAlert[™] panel displays relevant machine status that is visible across the room. Now featuring an external bin full indicator light and easier to read 16-segment display.

CONVENIENT DESIGN

Remote Condenser and Compressor

Allows for higher capacities in smaller footprint, while minimizing heat and noise output.

WaterSense Adaptive Purge

Optimizes water consumption, keeping the machine cleaner and operating more efficiently.



Compatible with ICELINQ[®]



The ICELINQ[®] app simplifies interaction with machine via Bluetooth[®] connection



Intelligent sensor technology maximizes efficiency and lowers operating costs



24 Hour Volume Production

MC330 1400lb

70°F/21°C	Air	90°F/32°C
50°F/10°C	Water	70°F/21°C
1411/641 lb/kg		1103/500 lb/kg



Modular Bin Options

Model Number*	Dimensions W" x D" x H"	Bin Application Capacity lb/kg	Finish	Ship Weight lb/kg
ED200	30 x 30 x 35	200/91	Stainless Steel	200/91
ED250	30 x 30 x 40	250/114	Stainless Steel	300/136
IDC255	30 x 30 x 40	255/116	Stainless Steel	350/159

* Contact Scotsman for bin top requirements.



Cube Ice

Common ice form, ideal for mixed drinks.



Small Cube
7/8" x 7/8" x 3/8"
(2.22 x 2.22 x .95 cm)



Medium Cube
7/8" x 7/8" x 7/8"
(2.22 x 2.22 x 2.22 cm)



Certification



ICELINQ



Warranty

- 3 Years parts and labor on all components.
- 5 Years parts and labor on the evaporator.
- 5 Years parts on the compressor and condenser.
- Warranty valid in North, South & Central America for commercial installations.
- Contact factory for warranty in other regions.
- Residential Applications: 1 year parts and labor

Scotsman[®]

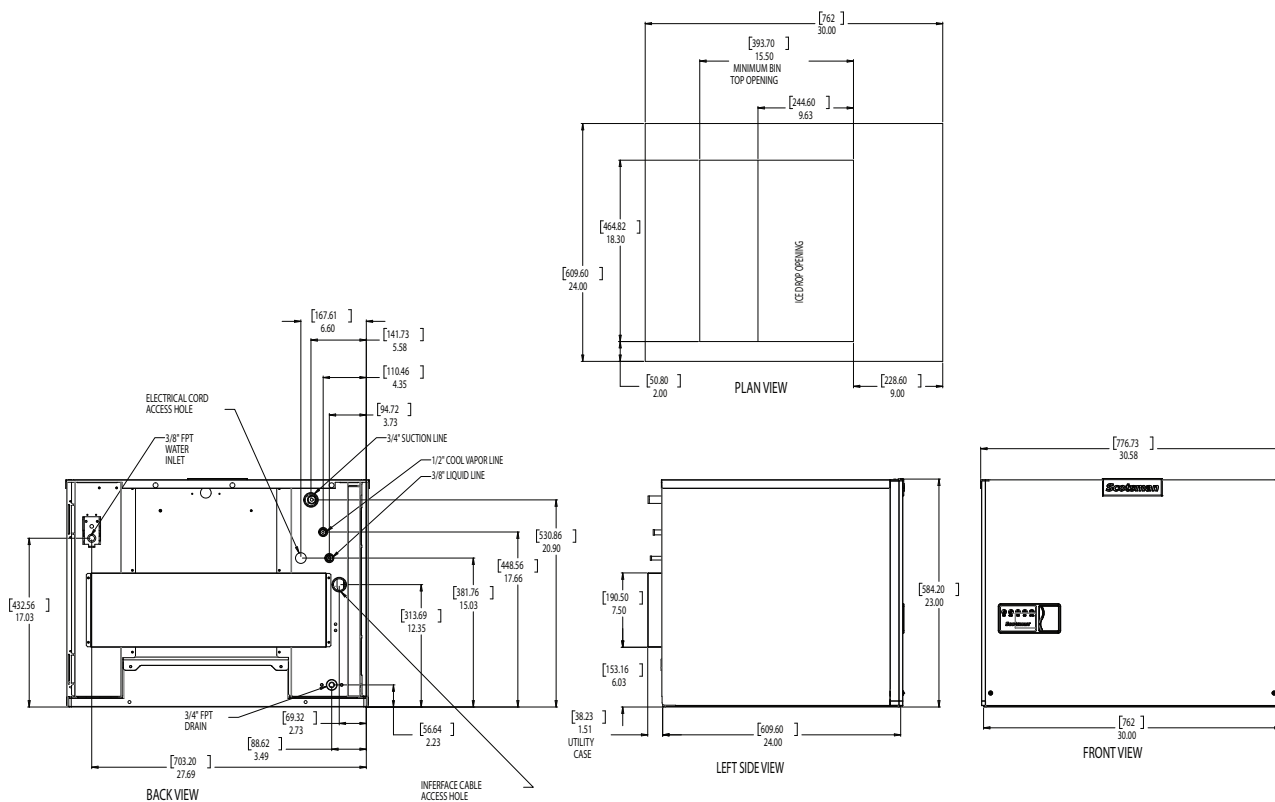
101 Corporate Woods Parkway, Vernon Hills, IL 60061

1-800-SCOTSMAN | Fax: 847-913-9844 | www.scotsman-ice.com | customer.relations@scotsman-ice.com

MC330L - 1400lb Cube Ice Machine

MC330L - 1400lb Cube Ice Machine

Prodigy ELITE® Modular Cube Ice Machine



Specifications

Model Number	Condenser Unit	Basic Electrical Volts/Hz/Phase	Max. Fuse Size or HACR Circuit Breaker (amps)	Circuit Wires	Min. Circuit Ampacity	Energy Consumption kWh/100 lb (45.4 kg) 90°F(32°C)/70°F(21°C)	Water Usage Gallons/100 lb (liters/45.4 kg)	
							Potable 90°F(32°C)/70°F(21°C)	Condenser 90°F(32°C)/70°F(21°C)
MC330SL-1	-	115/60/1	15	2	Cord	4.55	-	-
-	ECC1200-32	208-230/60/1	30	2	17.7	5.00	18.0/68.1	-



All Models

Dimensions (W x D x H):

MC330 Unit:	30" x 24" x 23" (76.2 x 61.0 x 58.4 cm)
Shipping Carton:	33.5" x 27.5" x 28" (85.1 x 70.0 x 71.1 cm)
Condenser Unit:	30" x 18" x 35" (76.2 x 45.7 x 88.9 cm)
Shipping Carton:	42" x 34" x 45" (106.7 x 86.4 x 114.3 cm)
Shipping Weight:	MC330xL 175 lb / 80 kg ECC1200 310 lb / 141 kg

BTUs per hour: 19,000 (MC330)

Refrigerant: R-404A



Accessories

Model Number	Description
KSBU	Smart-Board™ Advanced Control - Use additional operational data for fast diagnosis.
KSBU-N	Smart-Board™ Advanced Control with Network - Network capable.
KVS	Vari-Smart Ice Level Control - Program ice levels to match ice needs
KBILC	Basic Ice Level Control - Thermistor technology, ideal for dispenser applications.
3BRTE20-EH	Line set, 20ft. Refrigerant and Brazing required
3BRTE35-EH	Line set, 35ft. Refrigerant and Brazing required
3BRTE50-EH	Line set, 50ft. Refrigerant and Brazing required
3BRTE75-EH	Line set, 75ft. Refrigerant and Brazing required
XR-30	XSafe® Sanitation System for Modular Cube - Continuous operation, field-installed.

Scotsman recommends all ice machines have water filtration. See Scotsman water filter specification sheet for details.



Operating Requirements

	Minimum	Maximum
Air Temperatures	50°F (10°C)	100°F (38°C)
Water Temperatures	40°F (4.4°C)	100°F (38°C)
Remote Cond. Temps	-20°F (-29°C)	120°F (49°C)
Potable Water Pressure	20 PSIG (1.4 bar)	80 PSIG (5.5 bar)
Cond. Water Pressure	20 PSIG (1.4 bar)	230 PSIG (16.1 bar)
Electrical Voltage	-5%	+10%

Specifications and design are subject to change without notice.