



30" Wide Modular RLS Flake Ice Machine

Prodigy Plus® Remote Low Side Flake Ice Machine



Features & Benefits

- 72 gallon storage bin with 100 lbs of ice capacity
- 24-hour production volume
- 3/4" thick stainless steel construction
- Abundant ice production
- Gasketed door for energy efficiency
- Easy-to-clean interior
- 3" thick insulation for energy efficiency
- 24-hour production volume
- 3" thick insulation for energy efficiency
- 24-hour production volume



Sealed, maintenance-free bearings ensure maximum reliability and contribute to a long machine life



24 Hour Volume Production

FS2330L		
70°F/21°C	Air	90°F/32°C
50°F/10°C	Water	70°F/21°C
2275/1032		1900/862
lb/kg		lb/kg



AutoAlert™ indicator lights and QR code for easy maintenance



Modular Bin Options

Model Number*	Dimensions W" x D" x H"	Bin Application		Ship Weight lb/kg
		Capacity lb/kg	Finish	
B948S	48 x 34 x 44**	893/406	Metallic	209/95
BH1100BB-A	48 x 34 x 50**	1100/499	SS w/ GBB†	280/127
BH1100SS-A	48 x 34 x 50**	1100/499	Stainless Steel	280/127
BH1300BB-A	60 x 34 x 50**	1400/635	SS w/ GBB†	310/140
BH1300SS-A	60 x 34 x 50**	1400/635	Stainless Steel	310/140
BH1600BB-A	60 x 34 x 62**	1755/796	SS w/ GBB†	370/168
BH1600SS-A	60 x 34 x 62**	1755/796	Stainless Steel	370/168

*Contact Scotsman for bin top requirements. **Add 6" Height for bin legs. † Stainless steel with galvanized back & bottom.



Flake Ice



Cools more quickly than other ice forms. Ideal for seafood and produce displays. Perfect for presentation and preservation.

*Approximation, values may vary by model



Certification



Warranty

- 3 years parts and labor on all components.
- Warranty valid in North, South & Central America for commercial installations.
- Contact factory for warranty in other regions.
- Residential Applications: 1 year parts and labor

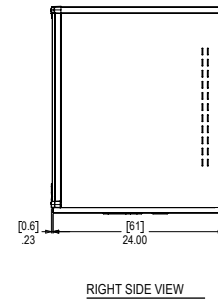
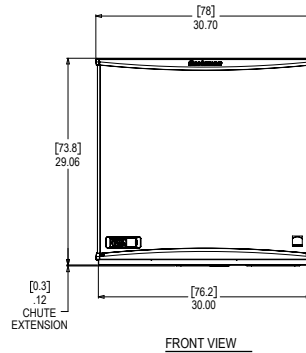
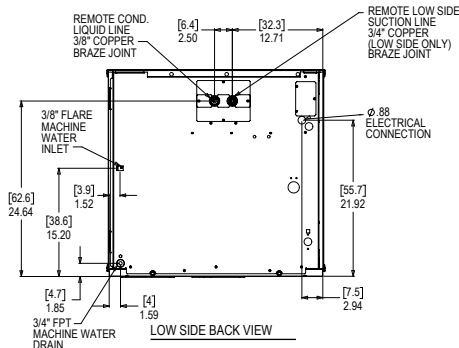
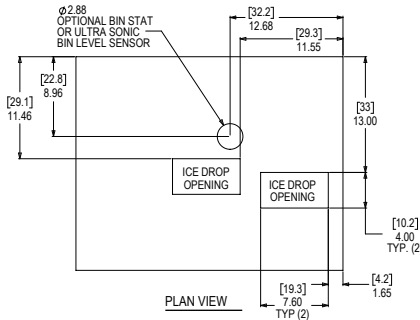
30" Wide Modular Remote Low Side Flake Ice Machine



30" Wide Modular RLS Flake Ice Machine

Prodigy Plus® Remote Low Side Flake Ice Machine

30" Wide Modular Remote Low Side Flake Ice Machine



Specifications

Model Number	Condenser Unit*	Basic Electrical Volts/Hz/Phase	Max. Fuse Size (amps)	Circuit Wires	Min. Circuit Ampacity	Energy Consumption kWh/100 lb (45.4 kg) 90°F(32°C)/70°F(21°C)	Water Usage Gallons/100 lb (liters/45.4 kg)	
							Potable 90°F(32°C)/70°F(21°C)	Condenser 90°F(32°C)/70°F(21°C)
FS2330L-32	Remote Low Side	208-230/60/1	15	2	2.8	1.44	12.0/45.5	-

*Ice heads designed to operate with external condensing units (supplied by others)



All Models

Dimensions (W x D x H):

Unit: 30" x 24" x 29"
(76.2 x 61.0 x 73.7 cm)

Shipping Carton: 33.5" x 27.5" x 34"
(85.1 x 69.9 x 86.4 cm)

Shipping Weight: 233lb / 106kg

BTUs per hour: 24,400

Refrigerant*: R-404A
*Refrigerant must be added at initial start-up.



Accessories

Model Number	Description
BRTE10	10ft (3.0 m) line set, brazing required
BRTE25	25ft (7.6 m) line set, brazing required
BRTE40	40ft (12.2 m) line set, brazing required
BRTE75	75ft (22.9 m) line set, brazing required
KVS	Vari-Smart™ Ice Level Control - Program ice bin levels to match ice needs.
KSBU	Smart-Board™ Advanced Control - Use additional operational data for fast diagnosis.
KSBU-N	Smart-Board™ Advanced Control with Network - Network capable.
KPAS	Prodigy Advanced Sustainability Kit - Includes KVS and KSBU - N

Scotsman recommends all ice machines have water filtration. See Scotsman water filter specification sheet for details.



Operating Requirements

	Minimum	Maximum
Air Temperatures	50°F (10°C)	100°F (38°C)
Water Temperatures	40°F (4.4°C)	100°F (38°C)
Remote Cond. Temps	-20°F (-29°C)	120°F (49°C)
Water Pressures	20 PSIG (1.4 bar)	80 PSIG (5.5 bar)
Electrical Voltage	-5%	+10%

Specifications and design are subject to change without notice.

an Ali Group Company

- 101 Corporate Woods Parkway, Vernon Hills, IL 60061
- 1-800-SCOTSMAN • Fax: 847-913-9844
- www.scotsman-ice.com • customer.relations@scotsman-ice.com

© 2020 Scotsman Ice Systems.



The Spirit of Excellence



SIS-SS-PP-30FL 04-21