

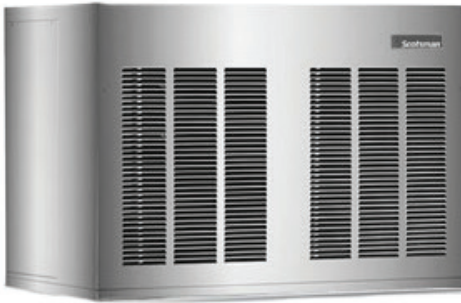


NME1854 - 1800lb Nugget Ice Machine

Modular Nugget Ice Machine with AutoSentry™

Features and Benefits

- Scotsman Nugget Ice™ was created with the consumer in mind. It's soft, chewable form make it a favorite for all types of beverages. The ice displaces more liquid than cubed ice, lowering syrup costs per cup.
- AutoSentry™ Monitoring System constantly checks workload on gearbox shutting down system before a problem develops preventing costly repairs.
- Electrical conductivity water sensor eliminates low or no water failures and cannot be affected by adverse water conditions.
- Plastic drain pan with larger outlet provides greater ability to quickly channel water away preventing particle build-up and rust.
- Rust and restriction free drain system features one-piece plastic drain tubes with larger ID for obstruction-free water flow.
- Durable, high grade stainless steel construction with massive, self-aligning spherical roller bearings; patented double-flight auger that evenly distributes the load; and heavy duty direct drive gearbox for high reliability and long life.
- Industry leading 3 year parts and labor warranty.



24 Hour Volume Production

Remote Cooled

70°F/21°C	Air	90°F/32°C
50°F/10°C	Water	70°F/21°C
2185/991		1631/740
lb/kg		lb/kg



Modular Bin Options



B948S



BH1300BB
BH1300SS

Bin Application

Model Number*	Dimensions W" x D" x H"	Capacity lb/kg	Finish	Ship Weight lb/kg
B842S	42 x 34 x 44**	778/353	Stainless Steel	190/86
B948S	48 x 34 x 44**	893/406	Stainless Steel	209/95
BH1100BB	48 x 34 x 50**	1100/499	SS w/GBB†	280/127
BH1100SS	48 x 34 x 50**	1100/499	Stainless Steel	280/127
BH1300BB	60 x 34 x 50**	1400/635	SS w/GBB†	310/140
BH1300SS	60 x 34 x 50**	1400/635	Stainless Steel	310/140
BH1600BB	60 x 34 x 62**	1755/796	SS w/GBB†	370/168
BH1600SS	60 x 34 x 62**	1755/796	Stainless Steel	370/168

* See price list for Bin Top. ** Add 6" Height for bin legs.
† Stainless steel with galvanized back & bottom.



Nugget Ice



The Original Chewable Ice™! Soft ice ideal for fountain beverages and blended fruit drinks.



Certification



Warranty

- 3 years parts and labor on all components.
- 5 years parts on the compressor.
- Warranty valid in North, South & Central America for commercial installations.
- Contact factory for warranty in other regions.
- Residential Applications: 1 year parts and labor

NME1854 - 1800lb Nugget Ice Machine

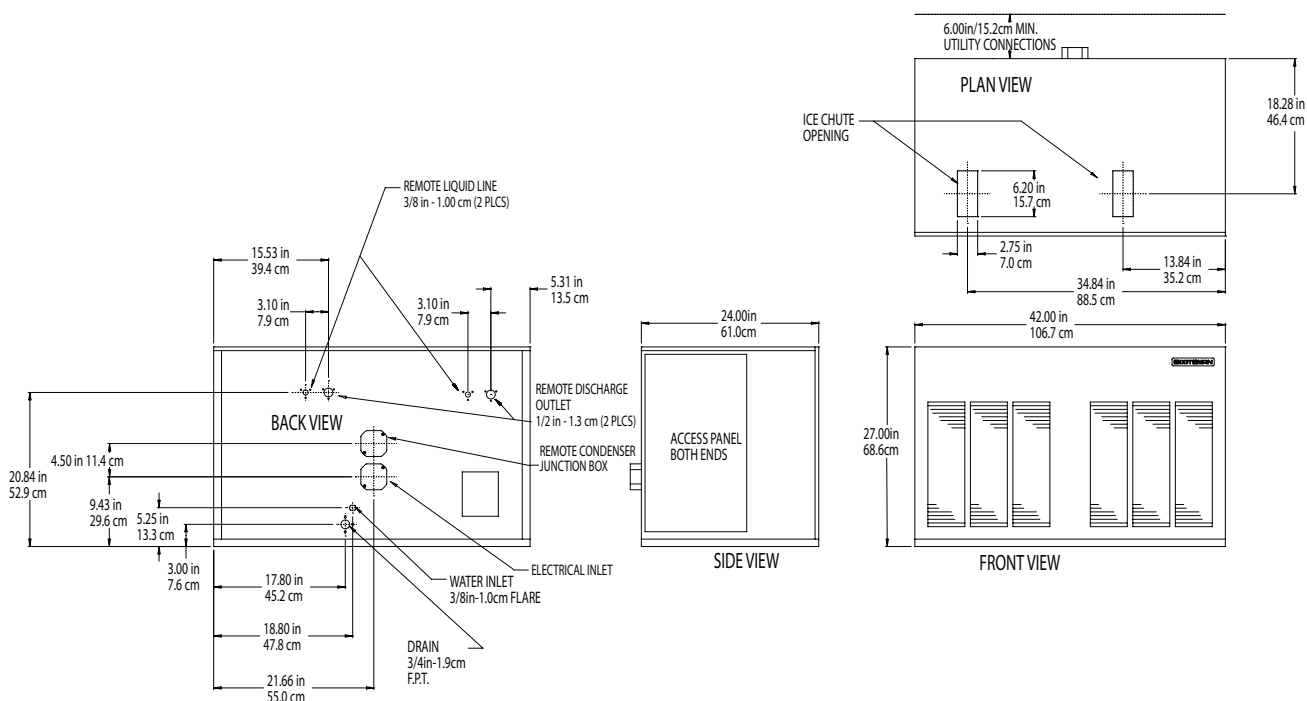


• 101 Corporate Woods Parkway, Vernon Hills, IL 60061 •
• 1-800-SCOTSMAN • Fax: 847-913-9844 • www.scotsman-ice.com • customer.relations@scotsman-ice.com •

NME1854 - 1800lb Nugget Ice Machine

Modular Nugget Ice Machine with AutoSentry™

NME1854 - 1800lb Nugget Ice Machine



Specifications

Model Number	Condenser Unit	Basic Electrical Volts/Hz/Phase	Max. Fuse Size or HACR Circuit Breaker (amps)	Circuit Wires	Min. Circuit Ampacity	Energy Consumption kWh/100 lb (45.4 kg) 90°F(32°C)/70°F(21°C)	Water Usage Gallons/100 lb (liters/45.4 kg)	
							Potable	Condenser
NME1854RS-32	Remote	208-230/60/1	30	2	22.8	3.63	12.0/45.5	-



All Models

Dimensions (W x D x H):

Unit: 42" x 24" x 27"
(106.7 x 61.0 x 68.6 cm)

Shipping Carton: 45.5" x 27.5" x 32"
(115.6 x 69.85 x 81.3 cm)

Shipping Weight: 425 lb / 193 kg
BTUs per hour: 15,800

Refrigerant: R-404A



Accessories

Model Number	Description
PR2C240-32	Remote Condenser for NME1854RS-32B, 208-230/60/1 - Consult Remote Condenser spec sheet for details.
BRTE10	10ft (3.0 m) line set, brazing required
BRTE25	25ft (7.6 m) line set, brazing required
BRTE40	40ft (12.2 m) line set, brazing required
BRTE75	75ft (22.9 m) line set, brazing required

Scotsman recommends all ice machines have water filtration. See Scotsman water filter specification sheet for details.



Operating Requirements

	Minimum	Maximum
Air Temperatures	50°F (10°C)	100°F (38°C)
Water Temperatures	40°F (4.4°C)	100°F (38°C)
Remote Cond. Temps	-20°F (-29°C)	120°F (49°C)
Water Pressures	20 PSIG (1.4 bar)	120 PSIG (bar)
Electrical Voltage	-5%	+10%

Specifications and design are subject to change without notice.