

**Scotsman**  
UNDERCOUNTER UNITS

# UC2724 - 270 lb Cube Ice Machine

Self-Contained Undercounter Ice Machine with Storage



## Features and Benefits

### Space Saving Design:

- Only 24" wide, this ice maker can be placed in the tightest locations
- Front breathing - No side clearance required for flexible placement
- Recessed utility chase provides clearance for tight installs
- Optional floor mount kit lowers height to 33.5"

### Ease of Use:

- Removable external air filter for easy cleaning
- Unit specific QR code for quick access to service manuals, cleaning guides and warranty history
- Ergonomic slide back door allows easy access to ice in the bin
- Power cord, NEMA 5-15P plug, ice scoop and adjustable legs are included for quick and easy installation

### Reliability:

- Heavy duty, rust-free front panel and corrosion-resistant aluminum alloy side panels for maximum lifespan
- 3 Year parts and labor warranty
- Designed, engineered and assembled in the USA

### High Production:

- Produces up to 282 lb (128 kg) per day and stores 80 lb (36 kg), maximizing ice output despite its small footprint

### Environmentally Friendly:

- Meets new US federal energy efficiency requirements
- Meets US Safe Drinking Act low lead requirements
- Non-ozone depleting R-134A refrigerant



Front accessible external air filter for easy cleaning



Recessed utility chase provides clearance for tight installs



Ergonomic slide-back door allows easy access to ice in the bin



Unit specific QR code for quick access to service manuals, cleaning guides and warranty history



## 24 Hour Volume Production

| Air Cooled             |              |                        | Water Cooled           |              |                        |
|------------------------|--------------|------------------------|------------------------|--------------|------------------------|
| 70°F/21°C<br>50°F/10°C | Air<br>Water | 90°F/32°C<br>70°F/21°C | 70°F/21°C<br>50°F/10°C | Air<br>Water | 90°F/32°C<br>70°F/21°C |
| 282/128<br>lb/kg       |              | 202/92<br>lb/kg        | 266/121<br>lb/kg       |              | 219/99<br>lb/kg        |



## Cube Ice

Common ice form, ideal for mixed drinks.



Small Cube  
7/8" x 7/8" x 3/8"  
(2.22 x 2.22 x .95 cm)



Medium Cube  
7/8" x 7/8" x 7/8"  
(2.22 x 2.22 x 2.22 cm)



## Certification



## Warranty

- 3 years parts and labor on all components
- 5 years parts on the compressor
- Warranty valid in North, South & Central America for commercial installations
- Contact factory for warranty in other regions
- Residential Applications: 1 year parts and labor

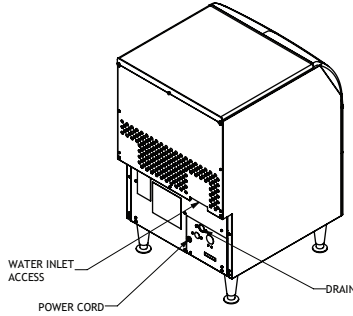
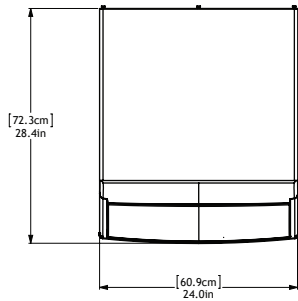
UC2724 - 270 lb Self-Contained Ice Machine

**Scotsman**  
UNDERCOUNTER UNITS

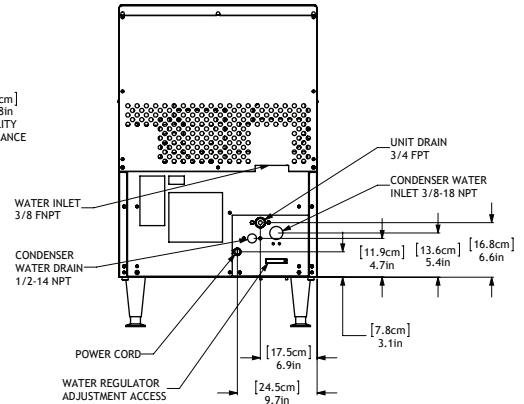
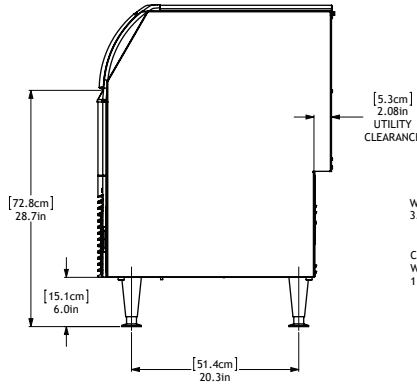
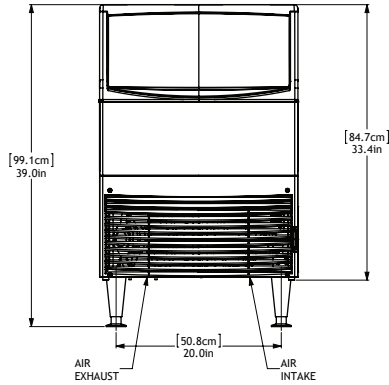
• 101 Corporate Woods Parkway, Vernon Hills, IL 60061 •  
• 1-800-SCOTSMAN • Fax: 847-913-9844 • [www.scotsman-ice.com](http://www.scotsman-ice.com) • [customer.relations@scotsman-ice.com](mailto:customer.relations@scotsman-ice.com) •

# UC2724 - 270 lb Cube Ice Machine

## Self-Contained Undercounter Ice Machine with Storage



Front breathing and no side clearance required, allowing for flexible placement



# UC2724 - 270 lb Self-Contained Ice Machine



## Specifications

| Model Number<br><small>Cube Size:<br/>medium or small</small> | Condenser Unit | Storage Capacity<br>lb/kg | Basic Electrical<br>Volts/Hz/Phase | Max. Fuse Size<br>or HACR Circuit<br>Breaker (amps) | Circuit<br>Wires | Min. Circuit<br>Ampacity | Energy Consumption<br>kWh/100 lb (45.4 kg)<br>90°F(32°C)/70°F(21°C) | Water Usage<br>Gallons/100 lb (liters/45.4 kg) |                                    |
|---|----------------|---------------------------|------------------------------------|---|------------------|--------------------------|---|--|------------------------------------|
|   |                |                           |                                    |   |                  |                          |   | Potable<br>90°F(32°C)/70°F(21°C)               | Condenser<br>90°F(32°C)/70°F(21°C) |
| UC2724MA-1  | Air            | 80/36                     | 115/60/1                           | 15  | 2                | Cord                     | 7.05  | 23.8/90.6                                      | -                                  |
| UC2724MW-1  | Water          | 80/36                     | 115/60/1                           | 15  | 2                | Cord                     | 5.68  | 26.1/99.4                                      | 112/426.5                          |
| UC2724SA-1  | Air            | 80/36                     | 115/60/1                           | 15  | 2                | Cord                     | 7.05  | 23.8/90.6                                      | -                                  |
| UC2724SW-1  | Water          | 80/36                     | 115/60/1                           | 15  | 2                | Cord                     | 5.68  | 26.1/99.4                                      | 112/426.5                          |



## All Models

### Dimensions (W x D x H):

Unit: 24" X 28.5" X 39"  
(61.0 x 72.4 x 99.1 cm)  
Height includes 6" (15.24 cm) adjustable legs  
Shipping Carton: 29" x 39" x 39"  
(73.7 x 99.1 x 99.1 cm)

Shipping Weight: 175 lb / 79.4 kg  
BTUs per hour: 5,000  
Refrigerant: R-134A



## Accessories

| Model Number | Description                             |
|--------------|---|
| KLP8S        | Kit, Leg 6", Stainless Steel            |
| KBC1         | Kit, Casters                            |
| KUFM24       | Floor mount kit. Lowers height to 33.5" |

Scotsman recommends all ice machines have water filtration. See Scotsman water filter specification sheet for details.



## Operating Requirements

|                    | Minimum           | Maximum           |
|--------------------|-------------------|-------------------|
| Air Temperatures   | 50°F (10°C)       | 100°F (38°C)      |
| Water Temperatures | 40°F (4.4°C)      | 100°F (38°C)      |
| Water Pressures    | 20 PSIG (1.4 bar) | 80 PSIG (5.5 bar) |
| Electrical Voltage | -5%               | +10%              |

Specifications and design are subject to change without notice.

an Ali Group Company